



# COMPANY PROFILE



General contracting &  
supplying

# Table of Contents.

About Us	3
Organizational Chart	6
Our Policy	7
Our Services	9
Projects	13
Our certifications	39
Clients	43
Vendor List	44



## **About Us.**

---

M Trust for Trading and Contracting Company a private organization located in Alexandria, providing professional contracting services in Fire fighting systems, , Light current systems , Air conditioning systems, Pumps and Control systems. M Trust Co. is an authorized distributor for many international brands in the mentioned fields.

We do not only offer a product, but we offer full technical support, maintenance services and training options.

We have a specialized department for equipment maintenance, our servicing engineers and technicians are available around the clock (24/7) for our customer's support in emergency situations. Furthermore, we support annual and half-yearly maintenance contracts.

M Trust Co. provides many services such as, designing, supply, installation, testing, commissioning, servicing and maintenance of various systems to meet the local and international codes. The key behind our success and growth is mainly the highly skilled and experienced project managers, mechanical and electrical engineers, site-supervisors, safety officers and a huge number of skilled labor force experienced in all types of projects.



## Personal Information.



The date of establishment of the company:

The company was established in 2017 as a limited partnership company.

The main center:

Address: 25 - Camp ceasar - Alexandria.

Mobile: 01012923595

Fax: 035935820

Email: [amreldakiky@mtrustco.net](mailto:amreldakiky@mtrustco.net)

Commercial Register:

Commercial Registration No.: 199464

Activity: general contracting - electromechanical works

Commercial Registry Office: Dekheila - Alexandria

The date of the license to practice the activity: 6/9/2017

Tax card:

Tax card number: 547 - 853 - 955

Tax File No. 122 - 5 - 03213 - 410 - 00 - 07

Place of issuance of the card: Dekheila - Alexandria

## **Vision.**

To be one of the major electromechanical solutions provider in the Middle East.



## **Mission.**

To provide high quality systems, services and achieve high customer satisfaction.



## **Core Values.**

### **Integrity**

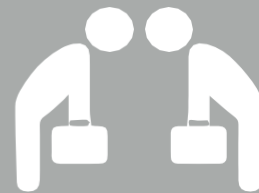
Integrity is indispensable to our mission.

We act with honesty and adhere to moral and ethical values.



### **Respect**

We respect, care and have dignity towards all individuals and value our diversity as a source of strength.



### **Clients**

We focus on the best interest of our clients to build a long-term relationship with them.

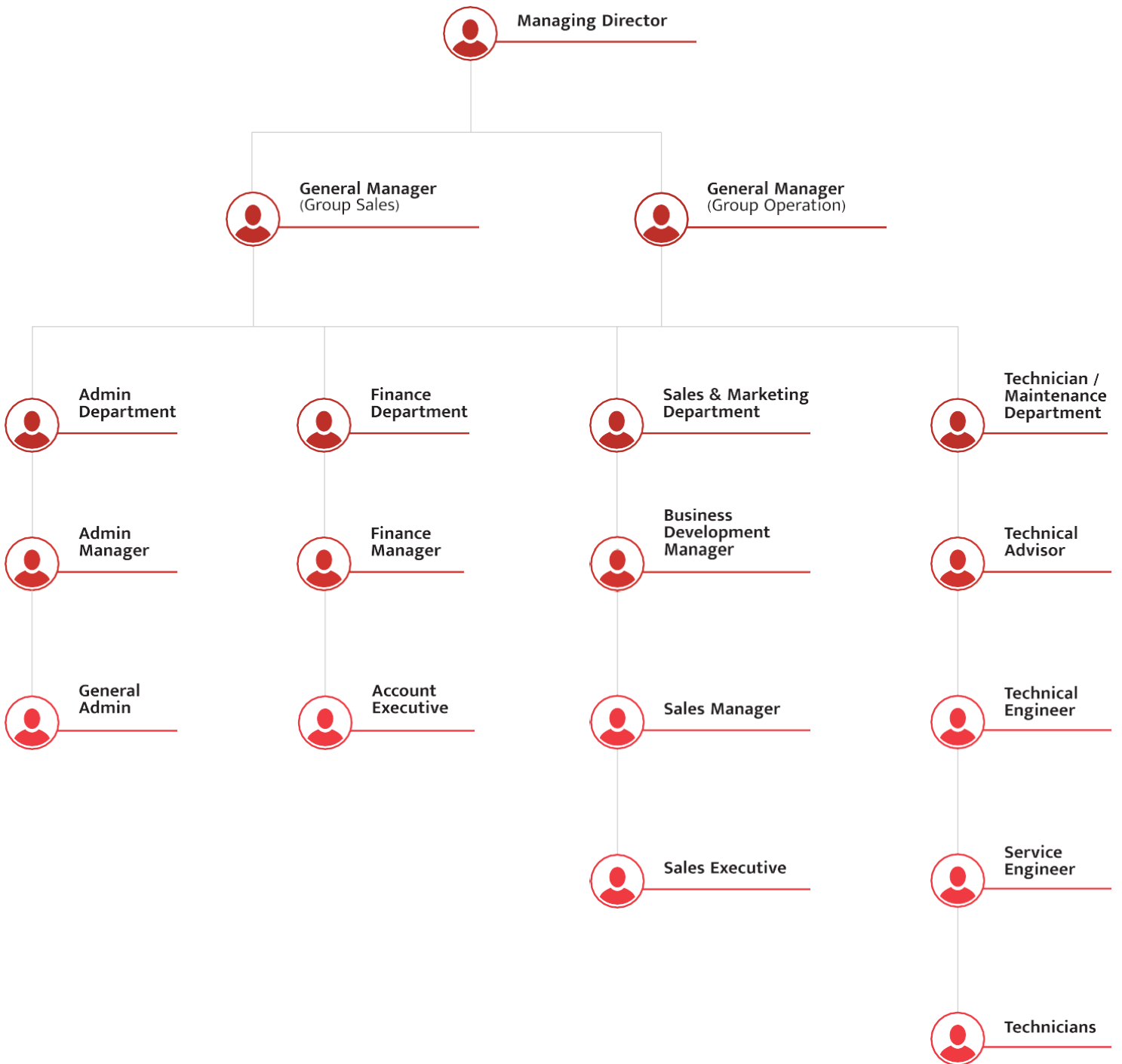


### **Innovation**

We embrace new ideas and provide sustainable and developed technology.



# Organizational Chart.



## Our Policy.

LEARN

SKILL

TECHN

ION

### Training Policy

Training courses are conducted on a regular basis to ensure we have a team of competitive Sales and Operations Professional.

These trainings cover the following points:

- Systems and Services Trainings to aid Sales, Technical Engineers and Service personnel with the technical knowledge of **M Trust** Co. for Electromechanical Contracting.
- Design Trainings which enable Engineers to design the systems in line with prevalent standards.
- Installation Trainings to ensure the systems are installed in line with the design.
- Maintenance Trainings that ensure the systems are maintained in line with established standards and manufacturer' s guidelines each training course is supported with up-to-date PowerPoint presentations, videos of actual incidents, training manuals, demo units, and manufacturer 's software design packages. The successful Completion of any training course is recorded by an internal attendance sheet and Training Certificates are issued to the attendees. The training courses involve both theoretical and practical as well as training on the latest international design standards.

# Our Policy.

## Quality & Safety Policy

### Quality Policy

We are committed to providing quality electromechanical services by implementing defined, documented and measurable processes to satisfy the requirements of our clients & authorities.



### Environment, Health & Safety Policy

El M Trust Co. is a process oriented organization continuously evolving to implement policies for the welfare of every client.

We take every necessary measure in all health and safety aspects minimizing the risk of danger.

Manuals have been developed and implemented as a central system to ensure the health and safety of every individual and environment.

We place health and safety above all.





# Our Services.

**M Trust Co. specializes in the provision of engineering solutions with a management team with very high skills and experience.**

**We offer design, technical office work, supplements, installations, commissioning, as built and hand over up to the warranty period for all electromechanical works .**

Our Company enjoys the reputation of performance built on excellence as seen in our clients' confidence by awards of repeat businesses and valuable references.

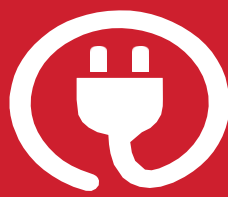
Our dedication in performing our services takes into careful consideration the bottom line targets of the Client to have the projects completed on the set time frame and budget. The importance of catering to the objective of the client starts right at the inception where our estimation and purchasing division work closely with the customer's project specification prioritizing transparency and ensuring no surprises during project implementation.

Employing the services of M Trust Co. comes with the highest level of commitment and involvement which the Client expects to maintain a close coordinative and collaborative working relationship throughout the development and construction process.

We are ready and willing to roll up our sleeves and get the work done at any time. M Trust guarantee in the provision of the electro-mechanical services is the continuous focus on finding ways to add value to the services we provide and to reduce its costs. We strongly believe in the philosophy of sharing risk and benefit and we have developed flexible and innovative contracts with many of our clients. We would be glad to do the same for you.



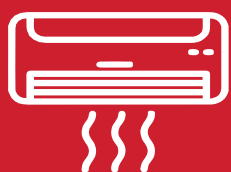
**Firefighting Works**



**Electrical Works**



**Light Current Works**



**HVAC Works**



**Plumbing Works**

# Firefighting Works

## Water Firefighting Systems

- Manual Hose reel and hose cabinet firefighting system.
- Automatic sprinkler firefighting system.

## Gas Firefighting Systems

- Manual Co2 extinguishing system.
- Automatic Co2 extinguishing system.
- FM 200 extinguishing system.
- Aerosol system.

## Foam Systems

- Manual Foam extinguishing system.
- Automatic Foam extinguishing systems.

## Powder Systems

- Manual Powder extinguishing system.
- Automatic Powder extinguishing systems.

## Wet Chemical Re-suppression Systems

- Hood Firefighting systems.

## Firefighting Pump Systems

## Firefighting Networks

- Seamless Pipes
- Polyethylene Pipes



# HVAC Works

**Central Heating**

**Air Conditioning**

**Ducted & Non-ducted Split Unit Systems**

**VRV System**

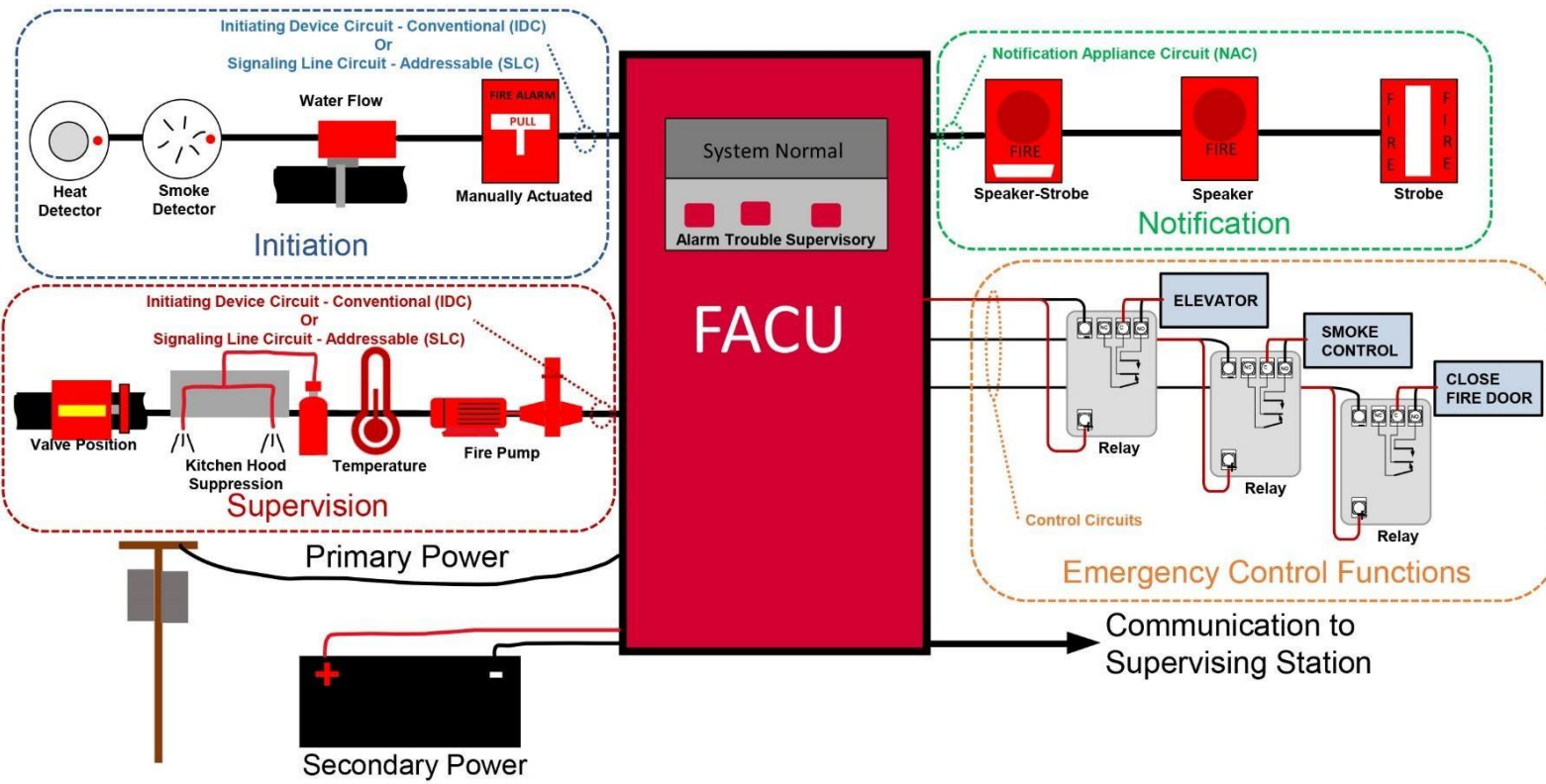
**Package Units**

**HVAC Controls and Monitoring Systems**

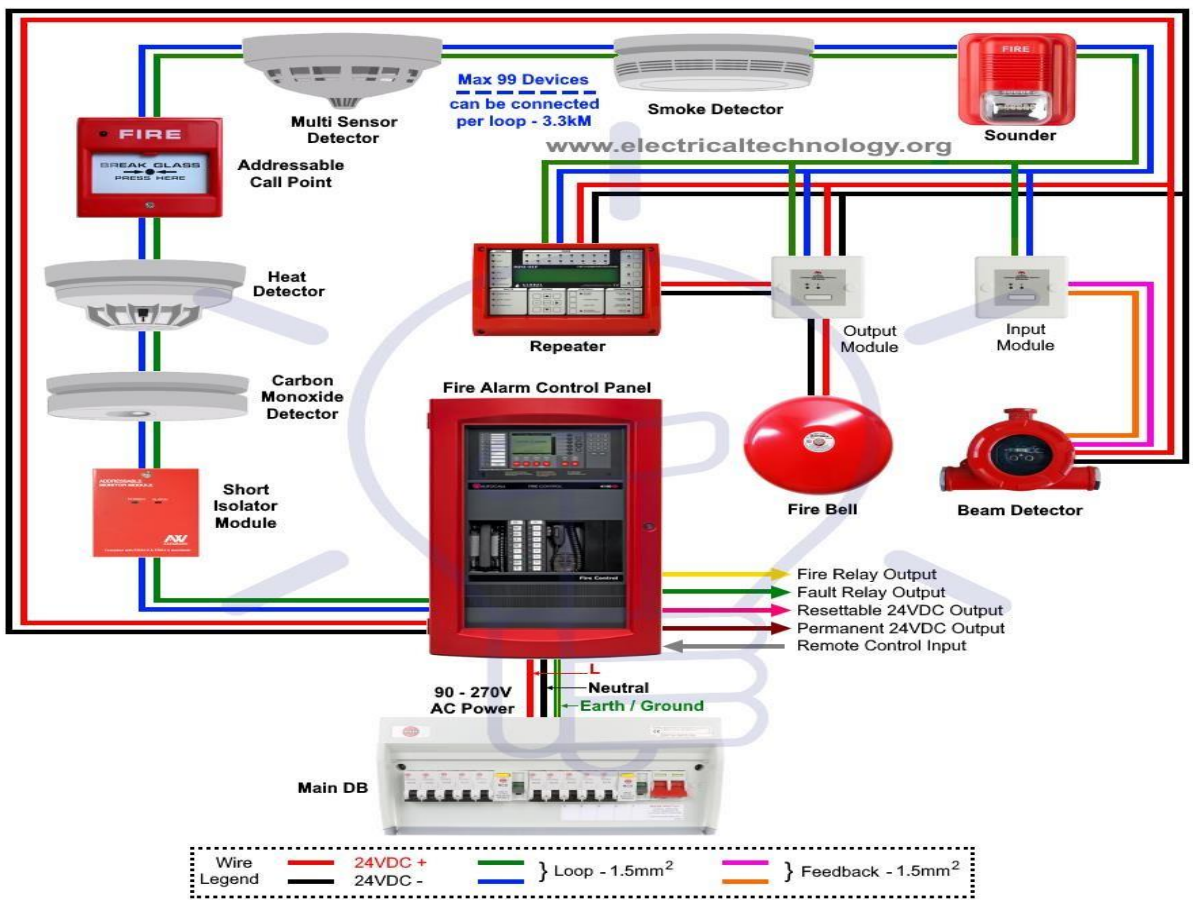
**Variable Refrigerant Flow Systems**



# Fire Alarm Works



## Addressable Fire Alarm System Wiring



# Our Projects



1

## We Telecom Auto building facility

**Location:** Misr Station Square in Alexandria.

**Project:**

- erection of firefighting system by FM200 Total flooding system for transformers, mccp, battries hall, control room and Distribution halls
- \_erection of addressable fire alarm systems

2

## Ismailia Teaching Oncology Hospital

**Location:** Anwer Elsadat St, Ismailia Governorate

**Projects:**

- Supply and erection of Firefighting systems for All Hospital facilities including ;
- 1-pump room
- 2-layout piping with fire hose cabinets
- 3- sprinkler systems with zone control valves
- 4- fire hose systems
- 5- total flooding system by FM200 gas and firefighting pannels
- 6-total flooding system by co2 gas and Fire fighting pannels
- 7- fire extinguishers
- Supply and erection of fire alarm systems for All facilities





3

**Adco**  
**Alexandria detergent and Chemical Co**

**Location:** 4th district industrial burj Elarab, Alexandria.

**Project:**  
supply and erection Firefighting system for transformers rooms with total flooding system by co2 gas with firefighting control pannel.

4

**Sidi kerir Petrochemicals Company**  
**( SIDPEC )**

**Location:**Al Nahda Sector, Amreya 1, Alexandria.

**Scope: Design, supply, erection and Project delivery**  
to civil protection department.

- 1- firefighting system for heavy equipment storage.
- 2- firefighting by rack system for main storage.
- 3- Cooling System by deluge Valve for diesel tank.



5

### Trio Infrastructure

**Location: The 5th Settlement , New Cairo**

**Scope: Supplying and Installing** of Co2 fire suppression systems and fire alarm systems with all accessories.



6

### Alex Apparels For Readymade

#### Garments Manufacturer

**Location:** Amreya 1, Alexandria Governorate.

**Scope: Supplying and Installing** of firefighting cabinets network and fire pump UL-FM approved with all accessories.

Automatic addressable alarm system to all factory buildings connected to the main control panel.

**ALEX  
APPARELS**

7

## Nile Company for Pharmaceuticals and Chemical Industries

**Location:** 2 Ali Amin Maher, Al Mesallah Sharq, Al Attarin, Alexandria Governorate

**Scope: Supplying and Installing** of firefighting cabinets, network, fire hydrant and fire pump UL-FM polyethylene tanks approved with all accessories.

Connect service valves around the factory to the addressable automatic alarm system



8

## Ibrahim Nada Hospital

**Location: Alexandria.**

**Scope: Supplying and Installing** of firefighting sprinkler system and fire alarm network with all accessories.





9

### **Sawary Project Phase II (Nafco Egypt Company for Fire Fighting Equipment):**

**Location:** Carrefour City Center, Qetaa at Tarik as Sahrawi, Alexandria

**Scope: Supplying and Installing** of firefighting cabinets network, sprinkler and alarm systems approved with all accessories.

10

### **Phyto Pharma Factories (Burj Al Arab Branch)**

**Location:** Alexandria.

**Scope: Supplying and Installing of firefighting cabinets network and firepump 500 gpm @ 8 bar Standard assembly NFPA 20 with all accessories.**

Automatic addressable alarm system to all factory buildings



**MADE IN EGYPT**



11

## Meat Capital Factory

**Location: Ain Sukhna.**

**Scope: Supplying and Installing** of firefighting cabinets network, sprinkler system, fire pump room, Co2 firefighting systems and fire alarm systems with all accessories.

12

## Latin District in New Alamein

**Location: Alexandria.**

**Scope: Supplying and Installing** of firefighting cabinets network and sprinklersystem with all accessories.



# Our Projects



FATHY MAHMOUD

## 13

**The Egyptian German for the manufacture of porcelain**

**Location: Alexandria.**

**Scope: Supplying and Installing** of firefighting cabinets network, cooling system, fire pumphoom. Installing fire sprinkler and fire alarm systems with all accessories.

Total immersion system using fm200 gas for IT room and control room.

## 14

**Chema Industries**

**Location: El Beheira.**

**Scope: Supplying and Installing** of firefighting cabinets network, sprinkler network, pump room installation, fire alarm system and cooling system with all accessories.





15

**Beauty N Company  
for ready-made clothes**

**Location: Alexandria.**

**Scope: Supplying and Installing** of firefighting sprinkler system and fire alarm network with all accessories.

16

**Electric Technology**

**Location: Alexandria.**

**Scope: Supplying and Installing** of firefighting cabinets network, sprinkler network, and pump room installation, and fire alarm system with all accessories.



# Our Projects

17

## Al-Masry Company for Trading and Manufacturing Paper and Cardboard

**Location: Alexandria.**

**Scope: Supplying and Installing** of firefighting cabinets network, sprinkler network, and pump room installation, and fire alarm system with all accessories.



18

## Saqr Factories

**Location: Alexandria.**

**Scope: Supplying and Installing** of firefighting cabinets network, sprinkler network, and pump room installation, and fire alarm system with all accessories.

### As a 3 levels:

1. Izaco store
2. Blocks Store
3. Concentrated material store

19

**Qebaa Group for Commercial Agencies and Export**

**Location: Alexandria.**

**Scope: Supplying and Installing** of firefighting cabinets network, sprinkler network, and pump room installation, and fire alarm system with all accessories.

Transformer total immersion chamber.



20

**Pharo Pharma For Pharmaceuticals**

**Location: Alexandria.**

**Scope: Supplying and Installing** of firefighting cabinets network, sprinkler network, and UL FM 1250GPM pump room installation, and fire alarm system with all accessories.

Ventilation system for belts, warehouses and basement.

21

**Pharo Pharma For Pharmaceuticals**

**Store**

**Location: Alexandria.**

**Scope: Supplying and Installing** of firefighting cabinets network, sprinkler network, and UL FM 1250GPM pump room installation, and fire alarm system with all accessories.



22

**Interpharma Corporation**

**Location: Alexandria.**

**Scope: Supplying and Installing** of firefighting cabinets network, sprinkler network, and UL FM pump room installation, and fire alarm system with all accessories.

Full flood chamber by CO2 and 200-Fm gas extinguishing system

23

### Fish farms (Ghalion Pond)

**Location:** Kafr El-Sheikh.

**Scope:** Supplying and Installing of firefighting cabinets network, sprinkler network, and pump room installation with all accessories.



24

### Marassi North Coast Village

**Location:** Alexandria.

**Scope:** Supplying and Installing of firefighting cabinets network, sprinkler network, fire alarm system and Cooling and ventilation works with all accessories.



25

**SESCO TRANS FOR  
DEVELOPED LOGISTICS**

**Location: Alexandria, Suez.**

**Scope: Supplying and Installing** of firefighting cabinets network, sprinkler network.

**As a 3 levels:**

1. Dekheila port
2. Wadi Al Qamar Port
3. Adibiya port, Suez



26

**Mansour 2 project, General Intelligence, the new  
administrative capital**

**Location: Egypt.**

**Scope: Supplying and Installing** of firefighting cabinets network, sprinkler network.

27

### Al Safwa Hospital

**Location: Alexandria.**

**Scope: Supplying and Installing** of firefighting cabinets network, sprinkler network and fire alarm system with all accessories.

Extinguishing system by fire search cylinders



28

### Solitaire Factory

**Location: Cairo.**

**Scope: Supplying and Installing** of firefighting cabinets network, sprinkler network and fire alarm system with all accessories.



# Our Projects



29

## Arab Association for experts and professionals Occupational Safety and Health

**Location:** Alexandria.

**Scope:** Supplying and Installing of firefighting sprinkler system and fire alarm network with all accessories.

30

## Nasr General Contracting Company - Hassan Alam

**Location:** Alexandria.

**Scope:** Developing the first and sixth areas of the port





31

### Naval college

**Location: Alexandria.**

**Scope: Supplying and Installing** of firefighting sprinkler system and fire alarm network with all accessories.

32

### Lotus Group - Al Ahly Bank,

**Location: Shalat Youth Center, Zamalek, Cairo.**

**Scope: Supplying and Installing** of firefighting, FM200 ,sprinkler system and fire alarm network with all accessories.





**33**

**Kamal Grace Habib Grace Company**

**Location: Egypt.**

**Scope: Installing and operating swimming pool equipment in the New Administrative Capital**

**34**

**Emac for swimming  
pools and water games**

**Location: Al Golf, Nasr City, Cairo.**

**Scope: Contracting and supplies works.**

***E.MAK***  
*swimming pools & waterparks*



35

### Jeddah Hotel Alexandria

**Location: Alexandria.**

**Scope:** Supply and installation of fire extinguishing network and fire alarm.

36

### Pharos University

**Location: Alexandria.**

**Scope: Supplying and Installing** of firefighting sprinkler system and fire alarm network with all accessories.





37

### Nahdet Misr Company for Modern Environmental Services

**Location:** Karmouz, Alexandria.

**Scope:** **Supplying and Installing** of firefighting sprinkler system and fire alarm network with all accessories.

38

### Damanhur Court of First Instance

**Location:** Damanhur.

**Scope:** **Supplying and Installing** of firefighting sprinkler system, Fire Search and fire alarm network with all accessories.





39

## Elisra Industries

**Location: El Beheira.**

**Scope: Supplying and Installing** of firefighting cabinets network, sprinkler network, pump room installation, fire alarm system and cooling system with all accessories.

40

## The Egyptian General Warehouse Company

**Location: Alexandria.**

**Scope: Supplying and Installing** of firefighting sprinkler system and fire alarm network with all accessories.







41

**AAST-MT**

**Location: El Alamein, Matrouh.**

**Scope: Supplying and Installing** of firefighting cabinets network, sprinkler network and fire alarm system with all accessories.

42

**Solik**

**Location: Smouha club food court, Alexandria.**

**Scope: Supplying and Installing** of firefighting sprinkler system and fire alarm network with all accessories.





43

**Petro Group Mitsubishi Motors Auto  
Service Center**

**Location: Moharam Bek, Alexandria.**

**Scope: Supplying and Installing** of fire alarm system with all accessories.

44

**Alexandria Company for  
Pharmaceuticals  
and Chemical Industries**

**Location: Alexandria.**

**Scope: Supplying and Installing Pressurized steam network** with all accessories.



Alexandria  
Pharmaceuticals

*Rovanyo Plast*

45

### Rovanyo Plast

**Location: Alexandria.**

**Scope: Supplying and Installing** Total immersion and ventilation system for the transformer room with all accessories.

46

### Glob kim Factories

**Location: Alexandria.**

**Scope: Supplying and Installing** of firefighting sprinkler system and fire alarm network with all accessories.

**GLOBkim**  
*Breathing life into Chemistry*



47

## Samtrade

**Location: Alexandria.**

**Scope: Supplying and Installing** of firefighting cabinets network, sprinkler network and fire alarm system with all accessories.

# Our Projects

## Our Projects in Some Restaurants Fire Fighting & Fire Alarm

48 Bistro restaurant (Tivoli Dome)

49 Chubby chicken republic : Smouha Club

50 KFC Americana : Alexandria Syria St.

51 Hardee's Americana : Alexandria Syria St.  
& Plaza Mall branch

52 Pizza Hut Americana : Alexandria Syria  
St.

53 Chicken Tikka : Plaza Mall branch

54 Costa Café : Gleem Bay





**Our Projects in  
Some Malls  
Fire Fighting & Fire Alarm**

**55. Almasa Mall (Movenpick):** El Alamein

**56 Matajer Mall:** Shops (Smouha)

**57 Sodic Mall :** Cairo Desert Gate

**58 Palm valley:** Allenza co.

**59 Intro Group:** 6<sup>th</sup> of October









# الاتحاد المصري لمقاولي التشييد والبناء

بطاقة عضوية عن عام ٢٠١٨

طبقاً للقرار الوزاري رقم ٥١٢ لسنة ٢٠١٧

فرع: الاسكندرية

( ٢٠١٩ )

رقم العضوية

٦٣٧٥٢

CBC

013604

اسم المقاول / الشركة : ام ترست للمقاولات العامة والتوريدات - عمرو محمد ابراهيم الدقيقى وشركاه

نوع المنشأة : توصيه بسيطه تاريخ القيد بالاتحاد : ٢٠١٨-٠١-٠٨

العنوان : شقه ٣٨ - دور ٨ على شى عبير الزهور بعد مسجد بلال رايح يسار - بملك / هانى فكرى وعزه احمد توفيق

مركز / قسم : الدخيله المحافظة : الاسكندرية

تم تصنيف المقاول/الشركة طبقا للشعب والتخصصات والفئات الموضحة أمام كل منها بهذه البطاقة

وسدد الاشتراك بالإيصال برقم ٢٠١٨/٣٩٢ وينتهي العمل بهذه البطاقة في : ٢٠١٩-٠١-٢٢

الدرجة	التخصصات	الشعبة	
XXX	أعمال المباني ( متكامل ) .	الأولى	
XXX	الأساسيات.		
XXX	الاتشاءات المعدنية.		
XXX	الأعمال التكميلية التخصصية.		
XXX	أعمال الطرق والكبارى والسكك الحديدية والمطارات.		الثانية
XXX	الأنفاساق.	الثالثة	
السابعه	محطات وشبكات المياه والصرف الصحى وشبكات الغاز والوقود.		
XXX	أعمال الأشغال العامه وأعمال محطات القوى الحراريه والمانيه.		الرابعه
XXX	الأعمال البحرية والنهرية والتكريك.		
XXX	استصلاح الاراضى.	الخامسه	
XXX	الأبــــــــــــــــــــار.		
السادسه	الأعمال الكهروميكانيكية والالكترونية وشبكات الاتصال.		

رئيس مجلس الإدارة

الأمين العام

شئون العضوية

الموظف المختص

مهندس / حسن عبيد العزيز حسن



جمهورية مصر العربية  
وزارة المالية  
مصلحة الضرائب المصرية



توصية بسيطة

/الدخيله

ام تراست للمقاولات العامه والتوريدات

عمرو محمد ابراهيم عيدالحميد وشركاه

٣٨ شارع عبير الزهور ابويوسف

تشبيد المياني



كود النشاط 4100

بدء النشاط: ٢٠١٧/٠٨/٣٠

٢٠٢٧/١١/٠٥

٢٠٢٢/١١/٠٦

٥٤٧-٨٥٣-٩٥٥

4439426266682714



نموذج (٣) ض.ق.م.

## تتهادة تسجيل

### الضريبة على القيمة المضافة



منطقة : غرب الاسكندرية

مأمورية : الدخيلة

العنوان : ١٣ ش الغرفة التجارية المنشية محطة الرمل

هذه شهادة منا بأن : عمرو محمد ابراهيم عبدالحميد- ام تراست للمقاولات العامة والتوريدات

العنوان : ابو يوسف ش عبير الزهور بجوار مشتل عبير الزهور

قد تم تسجيله وفقاً لنصوص قانون الضريبة على القيمة المضافة

تحت رقم : ٩٥٥ - ٨٥٣ - ٥٤٧

وذلك اعتباراً من : ٢٦-١١-٢٠١٧

تحريراً فى : ٢٦-١١-٢٠١٧

رئيس المأمورية



**GENERAL MANAGER** ENG/ AMR ELDAKIY

01012923595

amreldakiky@mtrustco.net

## CONTACT US

 [www.mtrustco.net](http://www.mtrustco.net)

 03/5934406

 [hr@mtrustco.net](mailto:hr@mtrustco.net)

[sales@mtrustco.net](mailto:sales@mtrustco.net)

 03/5934406

[tech@mtrustco.net](mailto:tech@mtrustco.net)

**PROJECTS MANAGER** 01117955777

**SECRETARY** 01142267726

# M TRUST COMPANY

GENERAL CONTRACTING AND SUPPLYING



# MTRUST

## IN BRIEF

M trust is a general contracting and supplying company that is dedicated to establishing fire fighting and alarm systems

### what distinguish us

Our main job is to design ,supply ,install, preserve and provide post-purchase services, thanks to our highly qualified team of experienced engineers and technicians

## SPECIALIZATIONS

- ◆ FOAM FIRE SUPPRESSION SYSTEMS
- ◆ FIRE EXTINGUISHERS
- ◆ FIRE HOSE CABINETS AND REELS
- ◆ AUTOMATIC DRY AND WET SPRINKLERS SYSTEMS
- ◆ CARBON DIOXIDE FLOODING SYSTEMS
- ◆ FM200 FLOODING SYSTEMS
- ◆ CARBON DIOXIDE FIRESEARCH SYSTEMS
- ◆ KITCHEN FIRE SUPPRESSION SYSTEMS

SEAMLESS BLACK  
STEEL PIPES

HANGERS,SUPPORTS,  
ANCHORS AND  
GUIDES

HDPE PIPES

WATER MONITOR

GROOVED PIPING

FIRE HOSE  
CABINET

FOAM SYSTEM

SUBMESIBLE  
ELEC. PUMPS

ALARM SYSTEM



# VENDOR LIST

FIRE PUMPS



VALVES



SPRINKLER SYSTEM



DRY POWDER EXTINGUISHER



FM200 FIRE PROTECTION



CARBON DIOXIDE FIRE PROTECTION SYSTEM



FIRE TRACE EXTINGUISHER SYSTEM



AEROSOL EXTINGUISHING SYSTEM

**FirePro.**



# OUR PROJECTS

Kima for manufacturing - supply installation of fire alarm system

Sesco Trans at Om Zegheo - operation of firefighting system

NASR GENERAL CONTRACTING - Development of area one and six in the port

Ghelion - Fire alarm system  
General Consultant Dr / Fathi Abd Rabboh – Electronic mechanic Dr/ Mahmoud Basiouny

Al Arabia Safety Company - installation of the firefighting system at Egyptian General Warehouses in Alexandria Port Authority

Solitaire Factory - Fire warning System Project

Naval college Abo El Fotouh office

Marasi village in the North Coast - Fire alarm system advisory / Muharram Bakhum

Pharo Pharma - Installation of the firefighting system for the block 9 warehouse owned by lot 16 in New Borg El – Arab City, Alexandria Governorate

Intra Pharm - Supply and Installation of fire alarm system

Egyptian German for Porcelain industry - Supply Installation of fire alarm system

Kamal Gris Habib Gris - Installation and Operation of swimming pool equipment in New Administrative Capital

El Safwa hospital - Civil protection and Fire alarm system

Ibrahim Nada hospital - Supply and Installation of Fire alarm system

EMAK for swimming pool - Contracts and Delivers

Samtrade - Fire alarm system and Fire drills

Sesco Trans - Operation of firefighting system for the company's warehouses

Sesco Trans - Firefighting system for the company's

Globkim for chemical industries - Supply and Installation of fire alarm system

Jeddah hotel - Supply and Installation of fire alarm system

Ghelion - Supply and Installation of Fire alarm system

Neorovania Blast in Borg El Arab - Generator rooms in total submersion

Costa Café Gleem Bay - fire fighting and alarm system

Bistro restaurant Tivole Dome fire fighting and alarm system

Chubby chicken republic Smouha club - fire fighting and alarm system

Workshops for the Naval base in Alexandria - Fire alarm system

General 2 Mansour project Intelligence Directorate in New Administrative Capital - Fire alarm system advisory / Shaker

